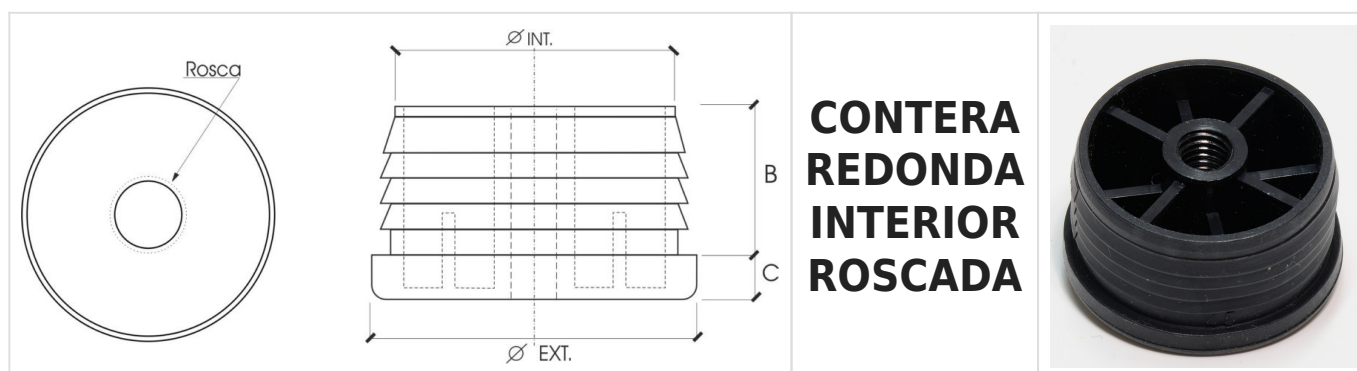


Referencia	Tuerca	Ext.	Int.	B	C	Grosor tubo
E-475	M10	40	37	16	5	1.5
E-463	M12	50	47	16	5	1.5



Referencia	Rosca	Ext.	Int.	B	C	Grosor Tubo
E-475/20-1	M8	20	17.2-18.0	20	5.5	1.0-1.5
E-475/20-2	M8	20	16.0-17.0	20	5.5	1.6-2.0
E-475/22-1	M8	22	19.2-20.0	20	5.5	1.0-1.5
E-475/22-2	M8	22	18.0-19.0	20	5.5	1.6-2.0
E-475/25-1	M8	25	22.2-23.0	20	5.5	1.0-1.5
E-475/25-2	M8	25	21.0-22.0	20	5.5	1.6-2.0
E-475/25-3	M10	25	22.2-23.0	20	5.5	1.0-1.5
E-475/25-4	M10	25	21.0-22.0	20	5.5	1.6-2.0

E-475/30-1	M8	30	27.2-28.0	20	5.5	1.0-1.5
E-475/30-2	M8	30	26.0-27.0	20	5.5	1.6-2.0
E-475/30-3	M10	30	27.2-28.0	20	5.5	1.0-1.5
E-475/30-4	M10	30	26.0-27.0	20	5.5	1.6-2.0
E-475/32-1	M8	32	29.2-30	20	5.5	1.0-1.5
E-475/32-2	M8	32	28.0-29.0	20	5.5	1.6-2.0
E-475/32-3	M10	32	29.2-30	20	5.5	1.0-1.5
E-475/32-4	M10	32	28.0-29.0	20	5.5	1.6-2.0
E-475/35-1	M8	35	32.2-33.0	20	5.5	1.0-1.5
E-475/35-2	M8	35	31.0-32.0	20	5.5	1.6-2.0
E-475/35-3	M10	35	32.2-33	20	5.5	1.0-1.5
E-475/35-4	M10	35	31.0-32.0	20	5.5	1.6-2.0
E-475/40-1	M8	40	37.2-38.0	20	5.5	1.0-1.5
E-475/40-2	M8	40	36.0-37.0	20	5.5	1.6-2.0
E-475/40-3	M10	40	37.2-38.0	20	5.5	1.0-1.5
E-475/40-4	M10	40	36.0-37.0	20	5.5	1.6-2.0
E-475/45-1	M10	45	42.2-43.0	20	5.5	1.0-1.5
E-475/45-2	M10	45	41.0-42.0	20	5.5	1.6-2.0
E-475/50-1	M10	50	47.2-28.0	20	5.5	1.0-1.5
E-475/50-2	M10	50	46.0-47.0	20	5.5	1.6-2.0
E-475/60-1	M10	60	57.2-58.0	20	5.5	1.0-1.5
E-475/60-2	M10	60	56.0-57.0	20	5.5	1.6-2.0